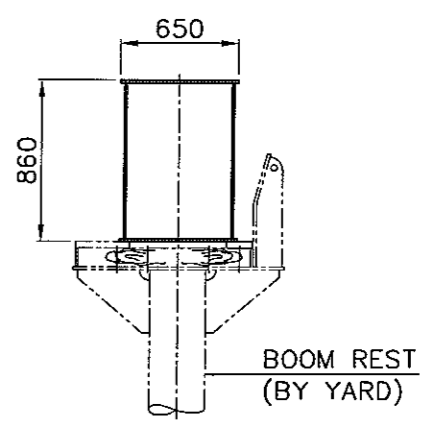
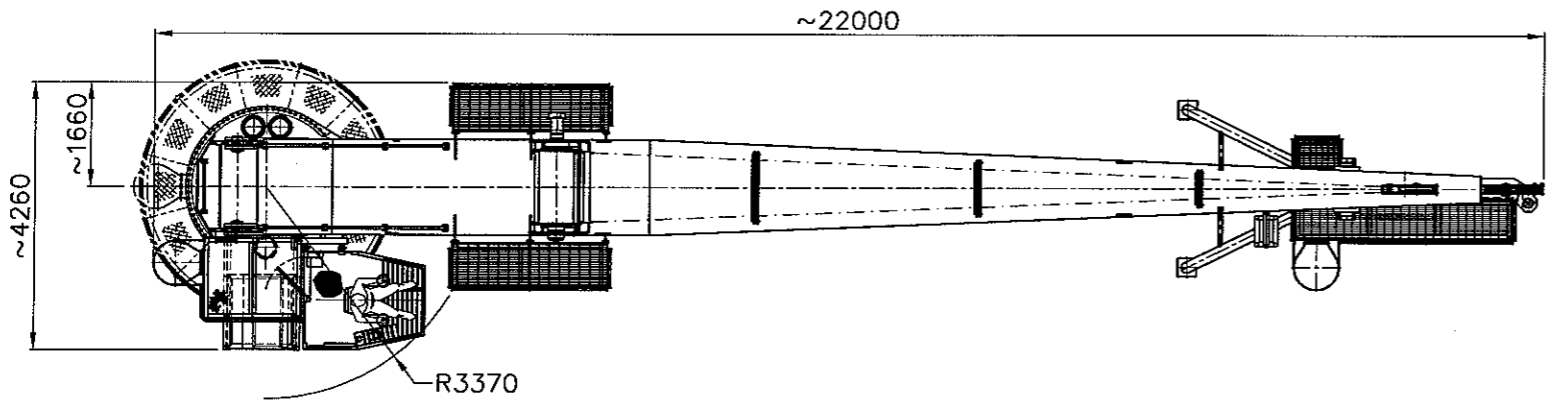


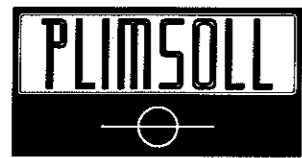
DETAIL A
WELD PREPARATION
NTS



SECTION B - B
N.T.S



REV.	DATE	DESCRIPTION	DRAWN	CHK'D	APPR'D
B	10.10.06	ISSUED FOR APPROVAL	LWK	<i>[Signature]</i>	<i>[Signature]</i>
A	08.10.06	ISSUED FOR INFORMATION	XC	CSA	-



© PLIMSOLL CORPORATION PTE. LTD.

(Singapore Registration No. 1285/B2-G)
Date 18/01/99

48 TUAS ROAD, SINGAPORE 638500.
TEL: (65) 8613922 FAX: (65) 8624334

ALL INFORMATION CONTAINED ON THIS DRAWING IS CONFIDENTIAL AND
CANNOT BE USED OR DIVULGED TO A THIRD PARTY WITHOUT PERMISSION. ©

STATUS

TITLE :

HYDRAULIC OFFSHORE SERVICE CRANE
GENERAL ARRANGEMENT

THIRD ANGLE PROJECTION ALL DIMENSIONS IN MM UNLESS OTHERWISE STATED SCALE 1 : 120 EST. WT.: ~46T

MODEL No.: PC-HOSC1150-2520-2025 DRG. NO. : HOSC1150-2520-2025-0 SHT. 1/1